

# GXR Series

High Frequency X-ray Generator

*Superior performance and stability*

## Features

- Fully Automatic mA/kV Calibration
- Easy parameter setting and firmware upgrade
- System self-diagnosis function
- System quality maintenance via Remote Diagnosis
- Remote Diagnosis via internet reduces service cost and down time
- Tube overloading and housing overheating protection
- User-programmable anatomical programs
- Dual speed starter : Direct drive by 6-pack IPM circuit, dynamic brake



## Options

- AEC (Automatic Exposure Control) Interface
- DR (Digital Radiography) Interface: SDK, PC interface module, Signal interface
- Pedestal Console Stand
- Touch Screen Console



Touch Screen X-ray Control Console

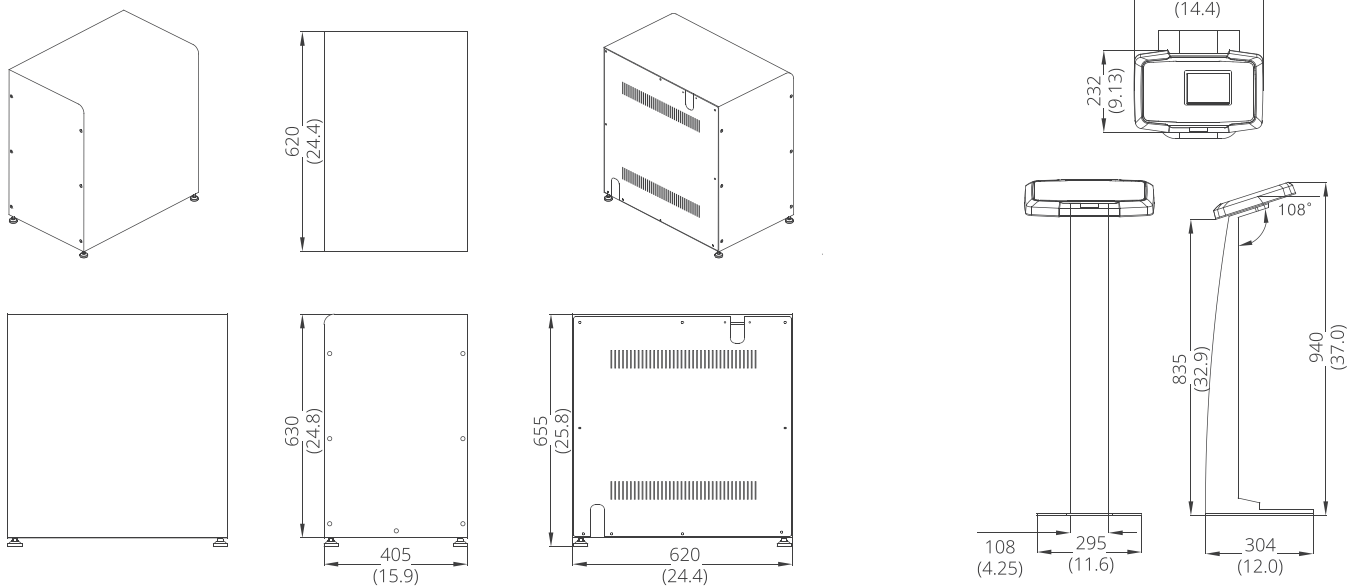


# Specification

Model	GXR-32	GXR-40	GXR-52	GXR-68	GXR-82
Output Rating	32kW	40kW	52kW	68kW	82kW
Line Nominal, Phase	220-230VAC, 1Ø 380/400/480VAC, 3Ø			380/400/480VAC, 3Ø	
Line Voltage Range	±10% (Frequency: 50*/60Hz) *Outside North America				
kV Range	40~125kV, 1kV step (Optional 150kV)			40~150kV, 1kV step	
mA Range	10 to 400mA	10 to 500mA	10 to 640mA	10 to 800mA	10 to 1,000mA
Timer Range	0.001~10sec, 38 steps				
mAs Range	0.1 to 500mAs (Optional up to 1,000mAs)				
Max. Power Output	400mA@80kV 320mA@100kV 250mA@125kV 200mA@150kV	500mA@80kV 400mA@100kV 320mA@125kV 250mA@150kV	640mA@81kV 500mA@104kV 400mA@130kV 320mA@150kV	800mA@85kV 640mA@106kV 500mA@136kV 400mA@150kV	1,000mA@82kV 800mA@102kV 640mA@128kV 500mA@150kV
Rotor Supply	Low Speed Dual Speed (Option for 3Ø)		Low Speed Dual Speed (Option)	Dual Speed	
Reproducibility	Coefficient of Variation: kV<0.005, Time<0.005, mAs<0.01				
Accuracy	kV < ±(1%+1kV), mA < ±(3%+1mA), Time < ±(1%+0.5ms), mAs < ±(3%+0.1mAs)				
Linearity	Coefficient of Linearity < 0.01 : CL = (X1 - X2)/(X1+X2), where X is mR/mAs				
Anatomical Programs	User Programmable max. 1,280 programs with APR utility software				
Technique Selection	4 point display (kV, mA, Time, mAs)				
Image Receptors	2 Bucky + 1 Non-Bucky				
Auxiliary Power Supply	External System Power		230VAC, 1A, 230W (PBT-4) 230VAC, 2A, 460W (PBT-6)		
			110VAC, 1A, 110W		
	Magnetic Lock Power		28VDC, 6.3A, 176W		
	Collimator Lamp Power		24VAC, 6.3A, 150W		

# Dimension

\* Unit : mm (Inch)



© DRGEM Corporation - All right reserved.  
 Reproduction in whole or in part is prohibited without the written consent of the copyright-holder.  
 Specifications and features are subject to change without notice.  
 All changes will be in compliance with regulations governing manufacture of medical equipment.

**Head Office/R&D** 7F, E-B/D, Gwangmyeong Techno-Park, 60 Haan-ro, Gwangmyeong-si, Gyeonggi-do, Korea (14322)  
**Gumi Factory** 116-59, Sanho-daero, Gumi-si, Gyeongsangbuk-do, Korea (39377)  
**Gimcheon Factory** 213, Saneopdanji-Ro, Eomo-Myeon, Gimcheon-Si, Gyeongsangbuk-do, Korea (39536)



**24 hours 7 days**  
 Customer Support  
 through Salesforce  
 Service Cloud CRM

